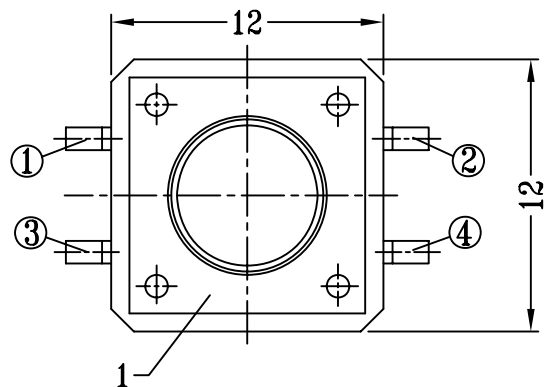
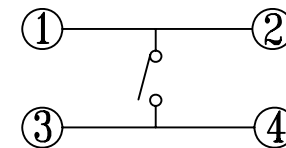


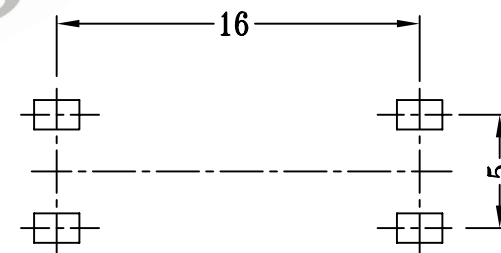
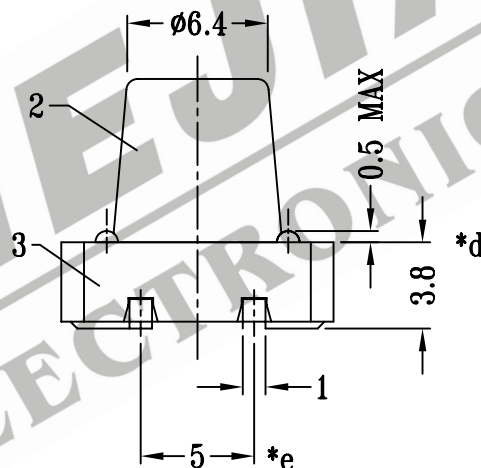
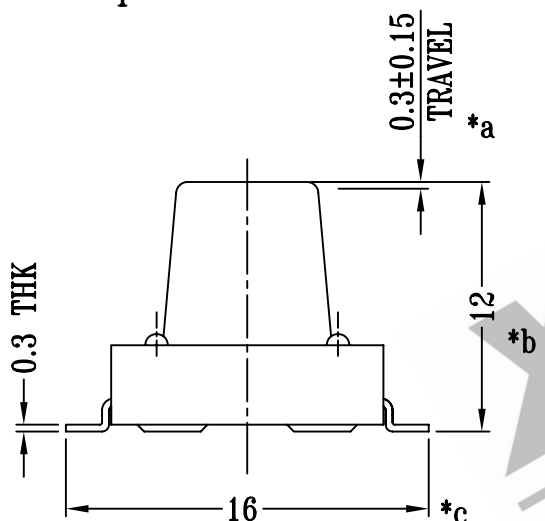
CAD FILE:



OPERATING FORCE	CODE
160gf	X
250gf	Z



SCHEMATIC



P.C.B LAYOUT

注:带*表示关键尺寸(5个)

				TOLERANCE UNLESS SPECIFIED	SHENZHEN XIEJIA ELECTRONICS CO.,LTD.							
				WITHIN: 1.5±0.1mm	ISSUE	DATE	DESCRIPTIONS OF REVISION		APPD.			
				OVER: 1.5±0.2mm								
8					TITLE : TACT SWITCH				UNIT : mm	DRWG NO.: XJ-DR-TD12XF-00		
7												
6					MODEL: TD-12XF				SCALE: 3:1	DWN.	ZHOUYU	2005-3-5
5										CHK'D	FANGYING	2005-3-5
4	CONTACT	PBS	1	Ag CLAD	ALL MATERIALS MUST BE COMPLIANT TO ROHS				APPD.	KANGXINAN	2005-3-5	
3	CASE	NYLON+F.G/BRASS STRIP	1	BLACK/Ag PLATED								
2	KNOB	NYLON	1	GREY								
1	COVER	ZINC PLATE	1	WASHING								
NO.	PARTS	MATERIALS	Q'TY	FINISH								